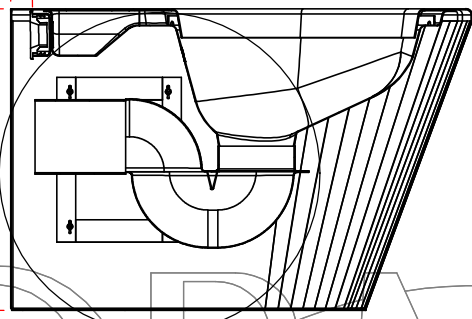


A

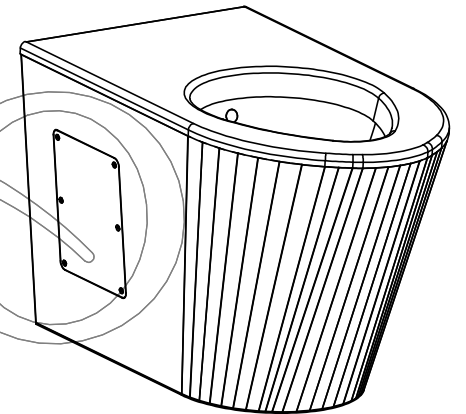
$29 \pm 5$

$396 \pm 5$

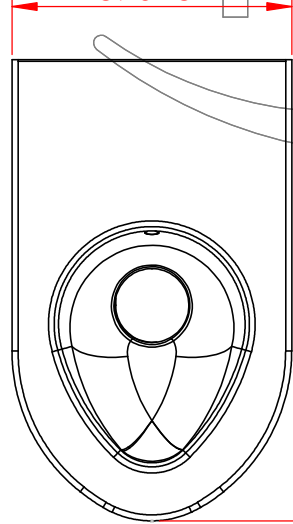


B

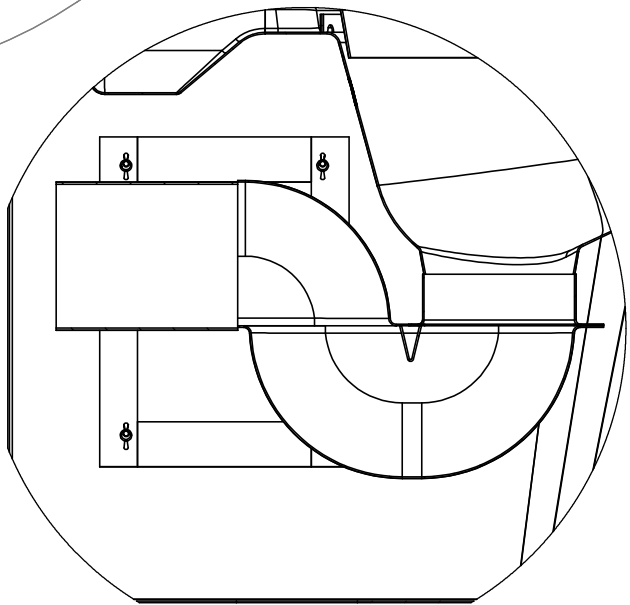
KESIT A-A



$370 \pm 3$



$610 \pm 5$



DETAY B

**Opsiyonel / Optional**  
Duvara Çıkış / Outlet Wall